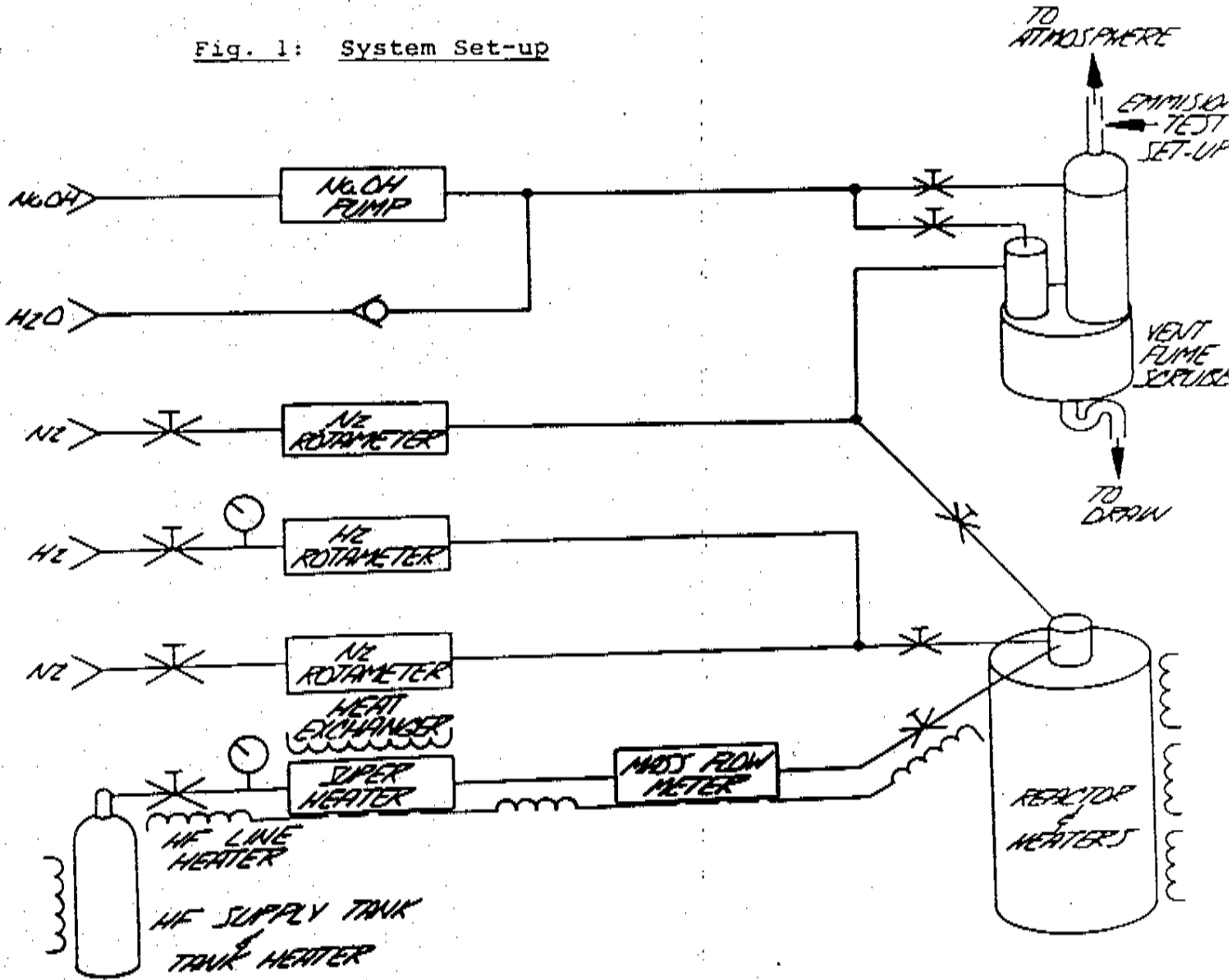


Fig. 1: System Set-up



Process Parameters:

HF Tank Heater: 39°C to maintain 10psig
 HF Line Heater: 52°C
 HF Super Heater: 70°C ensures vaporous state of Hydrogen Flouride.
 Furnace Heaters: 982°C
 Hydrogen Flow: 26.7scfh
 Hydrogen Flouride Flow: 26.7scfh actual became 23.8scfh
 Water Flow to Scrubber Venturi: 4gpm
 Water Flow to Scrubber Tower: 4gpm
 NaOH to Scrubber: Set to maintain 10ph at drain.
 Nitrogen to Exhaust: 30scfh
 Run Time: 180 minutes